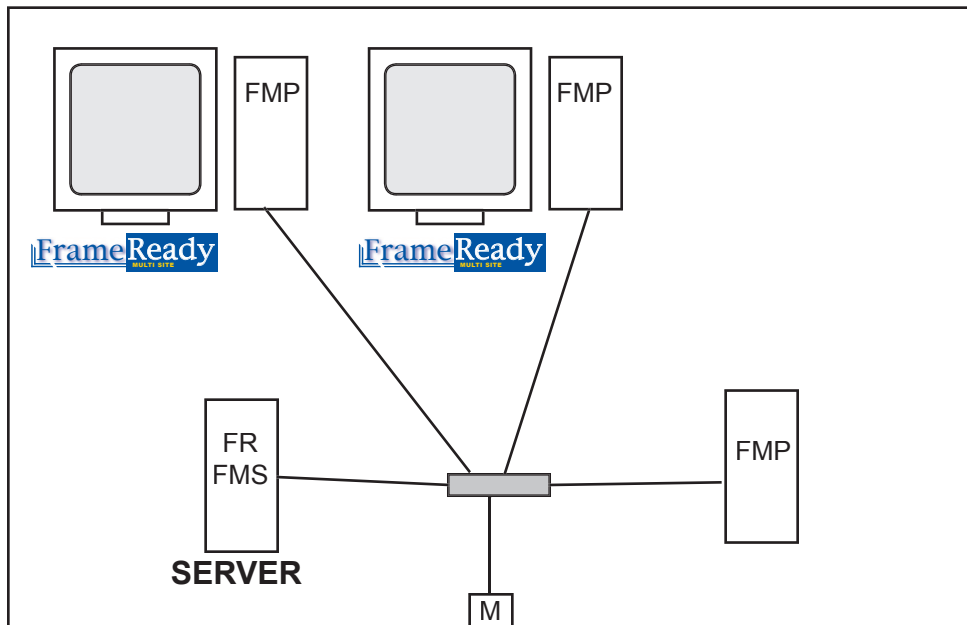


FrameReady Multi Site set up

Main Store with 2 computers



MAIN STORE

Intall FileMaker Pro on all computers (except the Server).

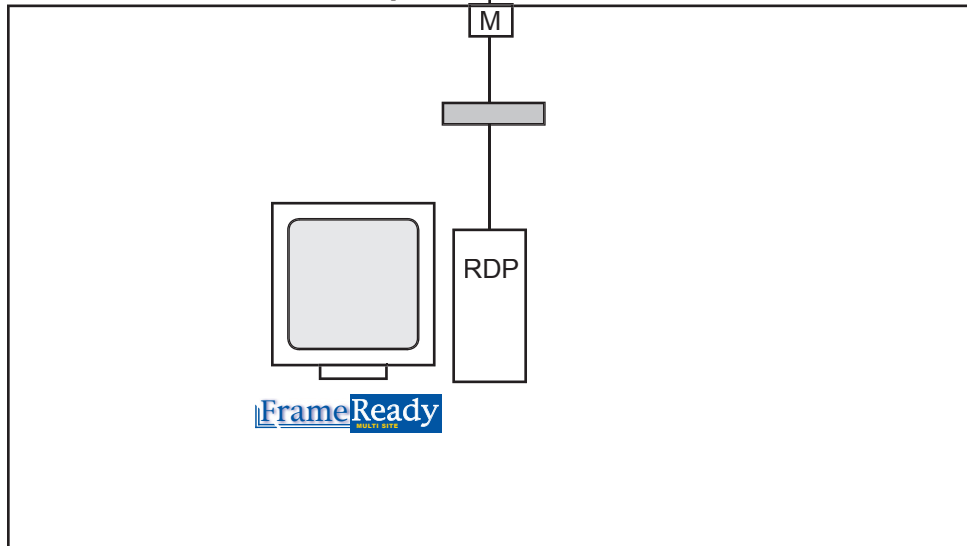
On the SERVER computer, Install FileMaker Server 9.0 and FrameReady 6.1 Multi Site.

REMOTE STORE

Computer accesses FrameReady files through RDP Windows XP Pro or Terminal Services Business Server 2003

Gateway or Port open to Internet

Remote Store with 1 computer



LEGEND

- FR FrameReady installed
- FMP FileMaker Pro installed
- FMS FileMaker Server
- RDP Remote Desktop Protocol

M Modem

Switch Switch

Computer Hard Drive /Tower Computer Hard Drive /Tower

FrameReady FrameReady

Terminals where you will be able to access FrameReady